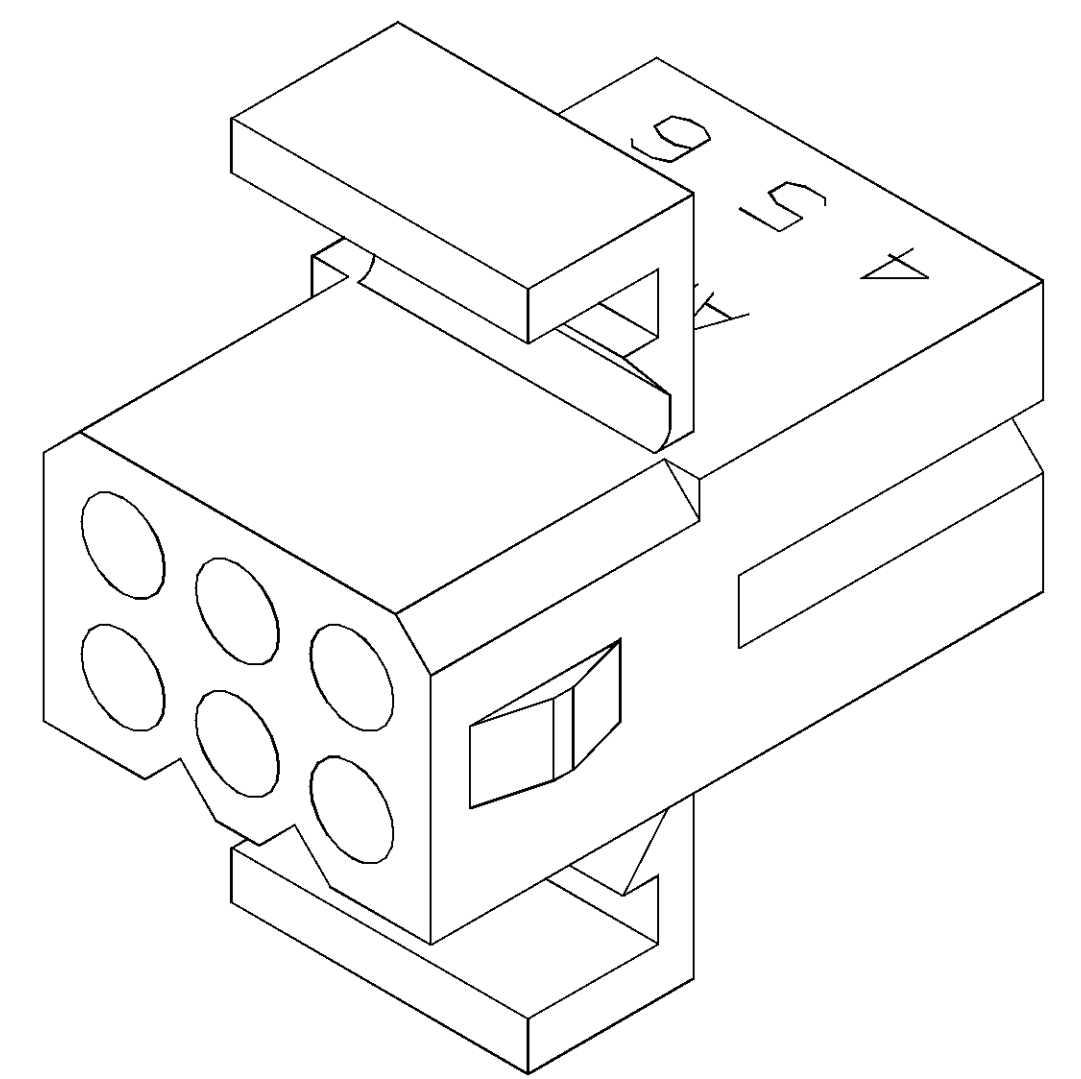
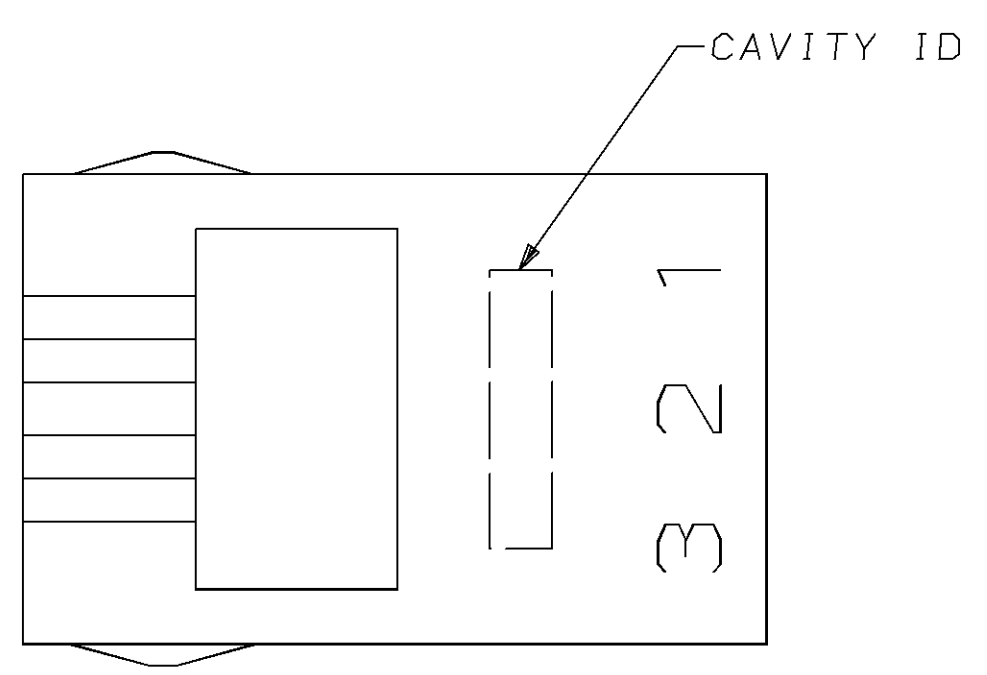


RECOMMENDED CUT OUT
 FOR 1.52 MAX THICK PANEL



3-DIMENSIONAL MODEL
 NTS



3.68	.145	21.84	.860
1.58	.062	19.69	.775
1.52	.060	14.02	.552
0.38	.015	12.83	.505
0.25	.010	12.57	.495
0.13	.005	8.76	.345
MM	IN	MM	IN

CONVERSION TABLE



THIS DRAWING IS A CONTROLLED DOCUMENT.		DWN K. WHITAKER	10-02-96	AMP AMP Incorporated Harrisburg, PA 17105-3608
TOLERANCES UNLESS OTHERWISE SPECIFIED:		CHK R. SWING	10-02-96	
DIMENSIONS:	mm	APVD C. CASH	10-09-96	NAME RECEPTACLE, PANEL MOUNT, 6 CIRCUIT, .062 PIN AND SOCKET
MATERIAL	NYLON, UL 94V-2, NATURAL	APPLICATION SPEC	WEIGHT	SIZE A1
FINISH		CUSTOMER DRAWING	SCALE	CASE CODE 00779
		SCALE	SHEET	DRAWING NO 770354
		SCALE	SHEET	REV C

770354-1
 PART NUMBER